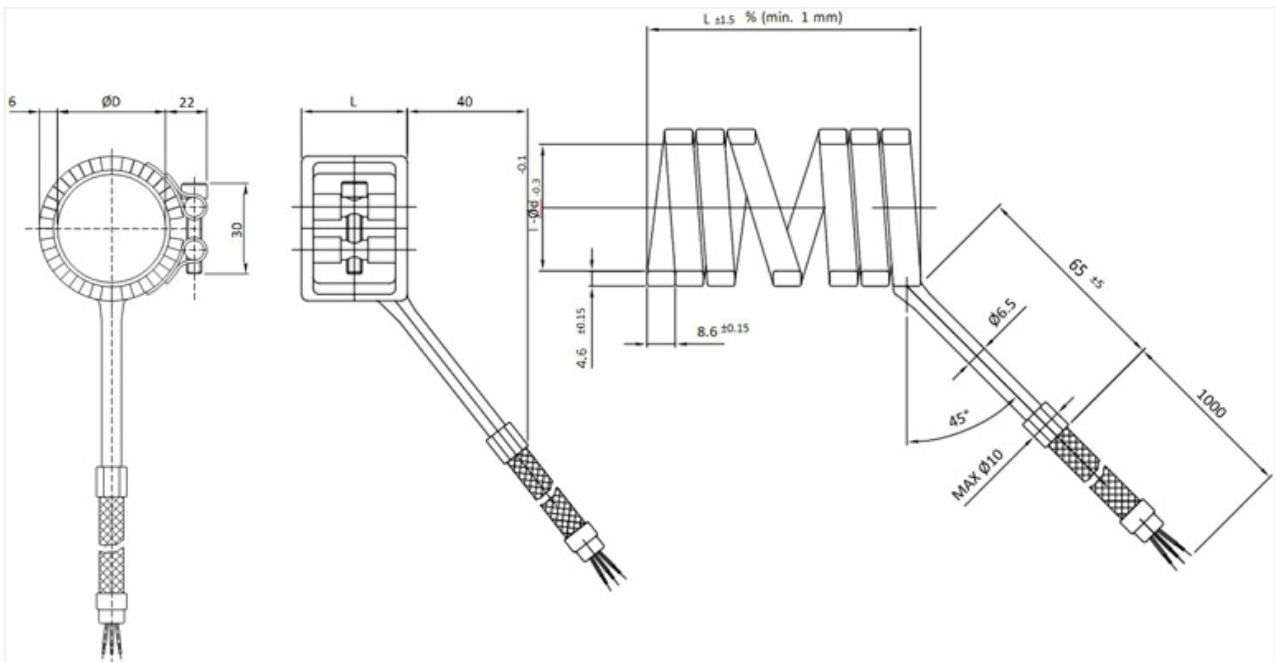


Nozzle heaters coiled 750°C

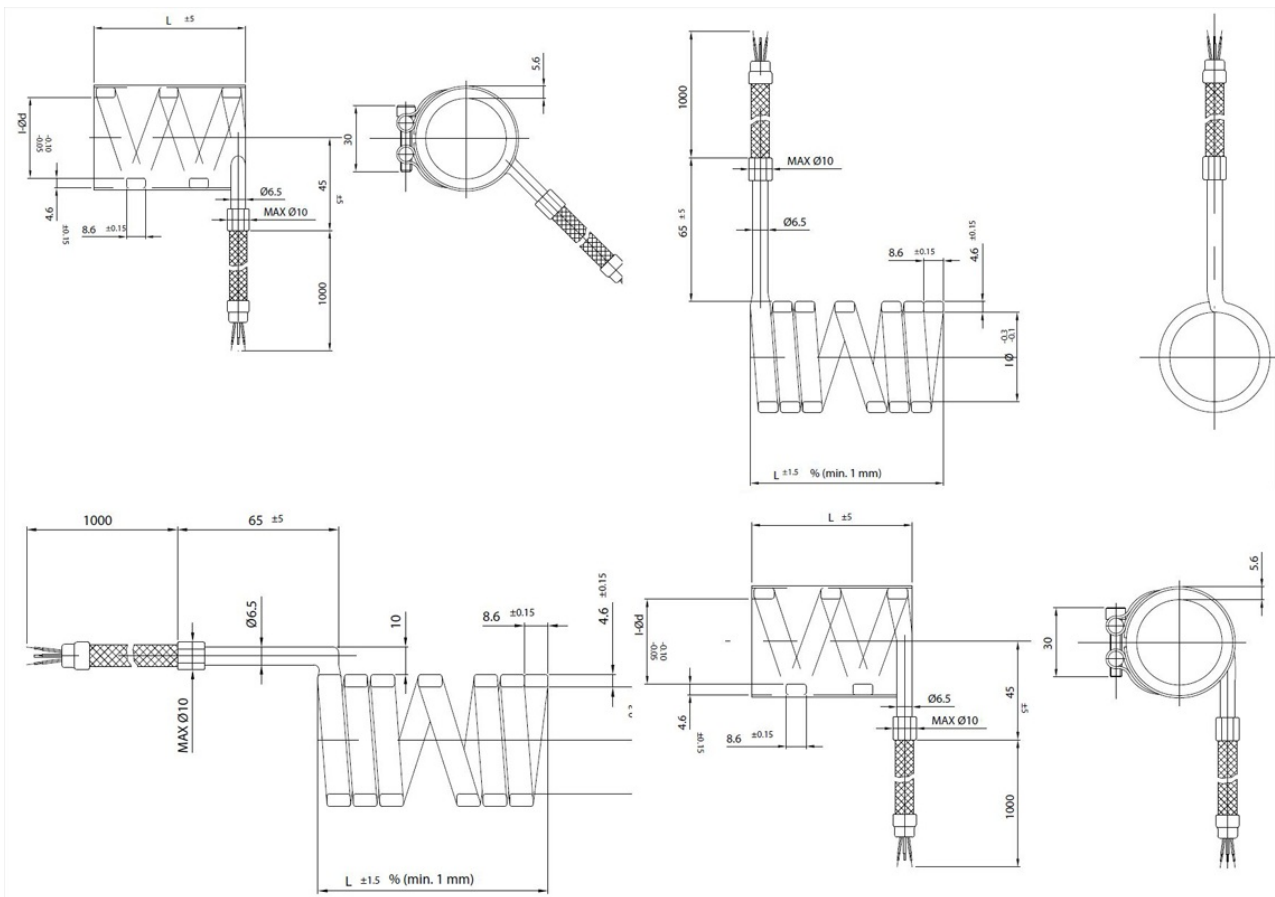
Nozzle heaters of type enclosed coil can withstand a very high working temperature (up to 750°C) and is designed to withstand shocks and vibrations. In this unique design we use tubular heaters that are coiled to the desired inner diameter and length. Then the nozzle heater is enclosed in a stainless steel casing and provided with tensioning screws.

Nozzle heaters are hermetically sealed and can be equipped with thermocouples type J and K. We recommend using of IHPs control cabinets for control of the heaters.

All IHPs nozzle heaters can be customized for alternative dimensions, supply, power, connections and adapters. For older production machines we have the possibility to customize new electric heating systems that improve performance and lower energy consumption.



These nozzle heaters can be ordered with alternative cable exits; radial, tangential 5° or 45°, axial 5° or 30°.



Technical specification

Surface load up to 15W/cm²

Working temperature up to 750°C

Supply 230V as standard (other supply optional)

Built in thermocouple type J or K (optional)

Resistance wire in nickel/chrome 80/20

Built in tubular heater in stainless steel Chrome-Nickel (CrNi)

Casing in stainless steel AISI430

Axial cable exit 45° as standard

Smallest diameter ø20mm

Largest diameter ø100mm

Longest tubular heater before coiling 3000mm

Cold zone of heater 65mm

Metal braided supply cable 1000mm with earth connection

Standard range

Article number	Diameter (mm)	Width (mm)	Power (W)
137-Z122020040	20	40	300
137-Z122020060	20	60	450
137-Z122020080	20	80	550
137-Z122020100	20	100	800
137-Z122020120	20	120	800
137-Z122020140	20	140	800
137-Z122020160	20	160	800
137-Z122022040	22	40	300
137-Z122022060	22	60	450
137-Z122022080	22	80	550
137-Z122022100	22	100	800
137-Z122022120	22	120	800
137-Z122022140	22	140	800
137-Z122022160	22	160	1000
137-Z122024040	24	50	450
137-Z122024060	24	60	550
137-Z122024080	24	80	550
137-Z122024100	24	100	800
137-Z122024120	24	120	800
137-Z122024140	24	140	1000
137-Z122024160	24	160	1000
137-Z122026040	26	50	450
137-Z122026060	26	60	550
137-Z122026080	26	80	800
137-Z122026100	26	100	800
137-Z122026120	26	120	1000
137-Z122026140	26	140	1000
137-Z122026160	26	160	1000
137-Z122028040	28	50	450
137-Z122028060	28	60	550
137-Z122028080	28	80	800
137-Z122028100	28	100	1000
137-Z122028120	28	120	1000
137-Z122028140	28	140	1000
137-Z122028160	28	160	1000
137-Z122030040	30	40	450
137-Z122030060	30	60	550
137-Z122030080	30	80	800
137-Z122030100	30	100	1000
137-Z122030120	30	120	1000
137-Z122030140	30	140	1000
137-Z122030160	30	160	1000
137-Z122032040	32	40	450
137-Z122032060	32	60	550

137-Z122032080	32	80	800
137-Z122032100	32	100	1000
137-Z122032120	32	120	1000
137-Z122032140	32	140	1000
137-Z122034040	34	50	550
137-Z122034060	34	60	550
137-Z122034080	34	80	800
137-Z122034120	34	120	1000
137-Z122034100	34	100	1000
137-Z122036040	36	50	450
137-Z122036060	36	60	800
137-Z122036080	36	80	800
137-Z122036100	36	100	1000
137-Z122038040	38	50	550
137-Z122038060	38	60	800
137-Z122038080	38	80	1000
137-Z122038100	38	100	1000
137-Z122040040	40	40	550
137-Z122040060	40	60	800
137-Z122040080	40	80	1000
137-Z122040100	40	100	1000
137-Z122042040	42	40	550
137-Z122042060	42	60	800
137-Z122042080	42	80	1000
137-Z122044040	44	40	550
137-Z122044060	44	60	800
137-Z122044080	44	80	1000
137-Z122046040	46	40	550
137-Z122046060	46	60	800
137-Z122046080	46	80	1000
137-Z122048040	48	40	550
137-Z122048060	48	60	1000
137-Z122048080	48	80	1000
137-Z122050040	50	40	550
137-Z122050060	50	60	1000
137-Z122050080	50	80	1000
137-Z122052040	52	40	550
137-Z122052060	52	60	1000
137-Z122052080	52	80	1000
137-Z122054040	54	40	550
137-Z122056040	56	40	800
137-Z122058040	58	40	800
137-Z122060040	60	40	800
137-Z122062020	62	20	300
137-Z122062040	62	40	800
137-Z122062060	62	60	1000

137-Z122064020	64	20	300
137-Z122064040	64	40	800
137-Z122064060	64	60	1000
137-Z122066020	66	20	300
137-Z122066040	66	40	800
137-Z122068020	68	20	300
137-Z122068040	68	40	800
137-Z122070020	70	20	300
137-Z122070040	70	40	800
137-Z122072020	72	20	300
137-Z122072040	72	40	800
137-Z122074020	74	20	300
137-Z122074040	74	40	800
137-Z122076020	76	20	300
137-Z122076040	76	40	1000
137-Z122078020	78	20	300
137-Z122078040	78	40	1000
137-Z122080020	80	20	300
137-Z122080040	80	40	1000
137-Z122082020	82	20	450
137-Z122082040	82	40	1000
137-Z122084020	84	20	300
137-Z122084040	84	40	1000
137-Z122086020	86	20	300
137-Z122086040	86	40	1000
137-Z122088020	88	20	450
137-Z122088040	88	40	1000
137-Z122090020	90	20	450
137-Z122090040	90	40	1000
137-Z122092020	92	20	450
137-Z122092040	92	40	1000
137-Z122094020	94	20	450
137-Z122094040	94	40	1000
137-Z122096020	96	20	450
137-Z122096040	96	40	1000
137-Z122098020	98	20	450
137-Z122098040	98	40	1000
137-Z122100020	100	20	450
137-Z122100040	100	40	1000