

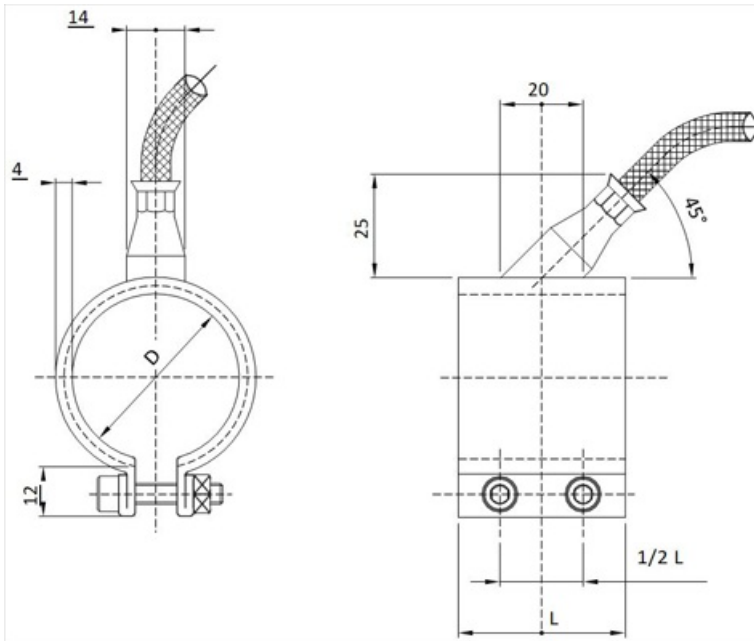
## Nozzle heaters brass 320°C

Nozzle heaters made in brass are an affordable heater series and are stocked normally in our standard range. IHPs nozzle heaters are hermetically sealed to prevent, for example, plastics, oil and gases from damaging the heater and are well suited for installation where the space is small and limited.

Nozzle heaters are used, among other, in extruders, casting machines, 3D-printers and filling machines and are very common in all production industries.

Optional built in thermocouple type J for direct control the nozzle heater which is advantageously controlled by IHPs standard control cabinet with digital PID controller.

The nozzle heaters are available in standard design according to table and picture but can also be fully customized.



### Technical specification

Surface load up to 6W/cm<sup>2</sup>

Working temperature up to 320°C

Supply 230V as standard (other supply can be customized)

Built in thermocouple type J (optional)

Resistance wire of nickel/chrome 80/20

Built in insulation of pure micanite

Outer casing off brass

Axial cable exit 45° as standard

Metal braided supply cable 1000mm with earth

Largest diameter and width ø110 x 60mm as standard

### Standard range

Article number	Diameter (mm)	Width (mm)	Power (W)
131-Z11025030	25	30	100
131-Z11030025	30	25	105
131-Z11030030	30	30	125
131-Z11030035	30	35	145
131-Z11030040	30	40	165
131-Z11035025	35	25	120
131-Z11035030	35	30	145
131-Z11035035	35	35	170
131-Z11035040	35	40	195
131-Z11035045	35	45	220
131-Z11040025	40	25	140
131-Z11040030	40	30	165
131-Z11040035	40	35	195
131-Z11040040	40	40	225
131-Z11040045	40	45	250
131-Z11042025	42	25	145
131-Z11042030	42	30	175
131-Z11042035	42	35	205
131-Z11042040	42	40	235
131-Z11045025	45	25	155
131-Z11045030	45	30	190
131-Z11045035	45	35	220
131-Z11045040	45	40	250
131-Z11045045	45	45	285
131-Z11045050	45	50	315
131-Z11045055	45	55	345
131-Z11050020	50	20	140
131-Z11050025	50	25	195
131-Z11050030	50	30	210
131-Z11050035	50	35	245
131-Z11050040	50	40	280
131-Z11050050	50	50	350
131-Z11050060	50	60	420
131-Z11055020	55	20	155
131-Z11055025	55	25	190
131-Z11055030	55	30	230
131-Z11055035	55	35	270
131-Z11055040	55	40	310
131-Z11055050	55	50	385
131-Z11060020	60	20	165

131-Z11060025	60	25	210
131-Z11060030	60	30	250
131-Z11060035	60	35	295
131-Z11060040	60	40	335
131-Z11060050	60	50	420
131-Z11060060	60	60	505
131-Z11065020	65	20	180
131-Z11065025	65	25	225
131-Z11065030	65	30	275
131-Z11065035	65	35	320
131-Z11065040	65	40	365
131-Z11065050	65	50	455
131-Z11065060	65	60	550
131-Z11070020	70	20	195
131-Z11070025	70	25	245
131-Z11070030	70	30	295
131-Z11070035	70	35	345
131-Z11070040	70	40	395
131-Z11070050	70	50	490
131-Z11070060	70	60	590
131-Z11075020	75	20	210
131-Z11075025	75	25	260
131-Z11075030	75	30	315
131-Z11075035	75	35	370
131-Z11075040	75	40	420
131-Z11075050	75	50	525
131-Z11075060	75	60	635
131-Z11080020	80	20	225
131-Z11080025	80	25	280
131-Z11080030	80	30	335
131-Z11080035	80	35	395
131-Z11080040	80	40	450
131-Z11080050	80	50	565
131-Z11080060	80	60	675
131-Z11085020	85	20	240
131-Z11085025	85	25	300
131-Z11085030	85	30	360
131-Z11085035	85	35	420
131-Z11085040	85	40	480
131-Z11085050	85	50	600
131-Z11085060	85	60	720
131-Z11090020	90	20	250
131-Z11090025	90	25	315
131-Z11090030	90	30	380
131-Z11090035	90	35	445
131-Z11090040	90	40	505

131-Z11090050	90	50	635
131-Z11090060	90	60	760
131-Z11095020	95	20	265
131-Z11095025	95	25	335
131-Z11095030	95	30	400
131-Z11095035	95	35	465
131-Z11095040	95	40	535
131-Z11095050	95	50	670
131-Z11095060	95	60	800
131-Z11100020	100	20	280
131-Z11100025	100	25	350
131-Z11100030	100	30	420
131-Z11100035	100	35	490
131-Z11100040	100	40	560
131-Z11100050	100	50	700
131-Z11100060	100	60	840



IHP International Heating Products AB

Hällebergsvägen 5, SE-443 60 Stenkullen, Sweden

Telefon: +46 (0)31 795 30 30 -Fax: +46 (0)31 795 30 39

Hemsida: [www.ihp.se](http://www.ihp.se) - E-post: [info@ihp.se](mailto:info@ihp.se) - Org. Nr. 556689-7327 - VAT Nr. SE556689732701

Bank: SEB Skandinaviska Enskilda Banken AB - Företaget innehar F-skattesedel