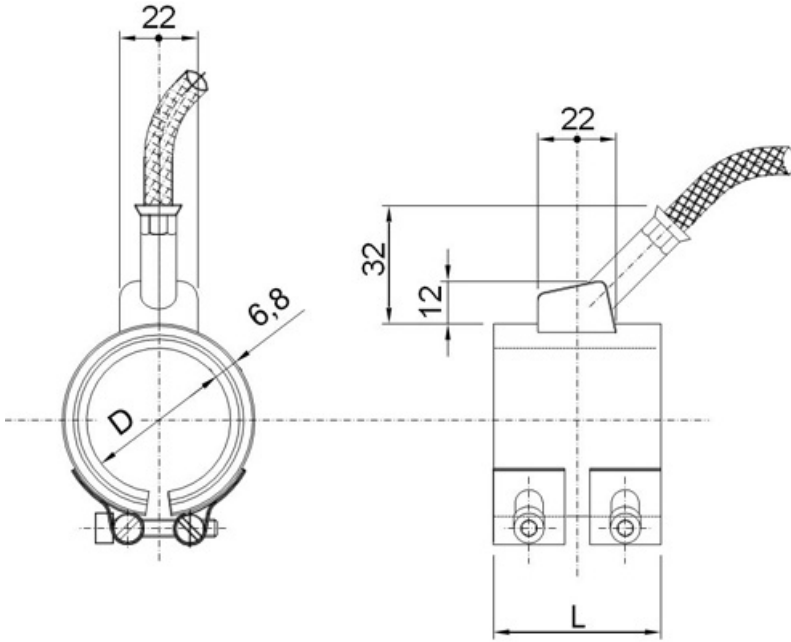


Nozzle heaters ceramic insulation 450°C

This nozzle heater series is developed to withstand even higher operating temperatures and maintain the same heat distribution as nozzle heaters produced with micanite as insulator. Nozzle heaters with ceramic insulation can deliver a surface load up to 10W/cm² and a continuous process temperature up to 450°C.

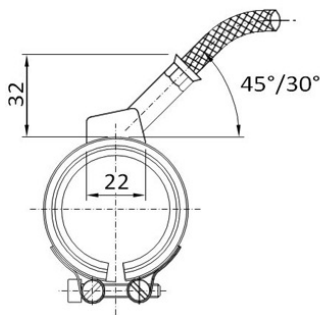
Nozzle heaters are flexible with small dimensions and are produced to withstand melted plastics and other corrosive substances. Optional we integrate thermocouples and design control cabinets for accurate process control and regulation.

IHPs nozzle heaters are supplied with metal braided connection cable 1000mm with earth connection as standard.

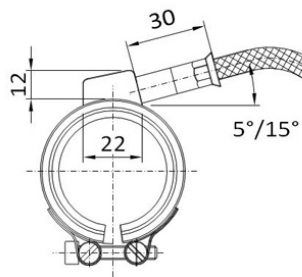


Alternative cable exits.

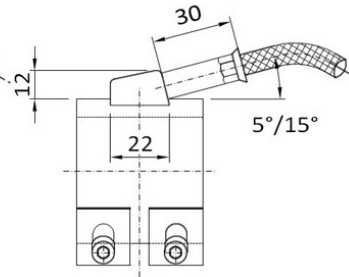
Tangential exit 30°/45°



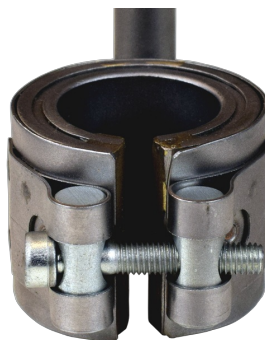
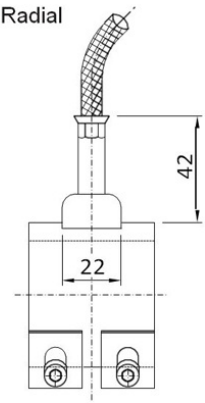
Tangential 5°/15°



Axial 5°/15°



Radial



Technical specification

Surface load up to 10W/cm²

Working temperature up to 450°C

Supply 230V as standard (other supplies optional)

Built in thermocouple type J or K (optional)

Resistance wire in nickel/chrome 80/20

Built in ceramic insulation

Casing in stainless steel AISI430

Axial cable exit 45° as standard (30° axial cable exit optional)

Metal braided supply cable 1000mm with earth connection

Largest diameter and length ø110 x 100mm

Standard range

Article number	Diameter (mm)	Width (mm)	Power (W)
137-Z20025019	25	19	110
137-Z20025023	25	23	130
137-Z20030019	30	19	130
137-Z20030023	30	23	160
137-Z20030027	30	27	190
137-Z20030031	30	31	215
137-Z20030035	30	35	245
137-Z20032019	32	19	140
137-Z20032023	32	23	170
137-Z20032027	32	27	200
137-Z20032031	32	31	230
137-Z20032035	32	35	260
137-Z20032039	32	39	290
137-Z20032043	32	43	320
137-Z20032039	32	47	350
137-Z20035019	35	19	155
137-Z20035023	35	23	190
137-Z20035027	35	27	220
137-Z20035031	35	31	255
137-Z20035035	35	35	285
137-Z20035039	35	39	320
137-Z20035043	35	43	350
137-Z20035047	35	47	385
137-Z20035051	35	51	420
137-Z20035059	35	55	450
137-Z20035059	35	59	485
137-Z20040019	40	19	180
137-Z20040023	40	23	215
137-Z20040027	40	27	255
137-Z20040031	40	31	290
137-Z20040035	40	35	330

137-Z20040039	40	39	370
137-Z20040043	40	43	405
137-Z20040047	40	47	440
137-Z20040051	40	51	480
137-Z20040055	40	55	520
137-Z20040059	40	59	555
137-Z20040063	40	63	595
137-Z20042019	42	19	190
137-Z20042023	42	23	230
137-Z20042027	42	27	265
137-Z20042031	42	31	305
137-Z20042035	42	35	345
137-Z20042039	42	39	385
137-Z20042043	42	43	425
137-Z20042047	42	47	465
137-Z20042051	42	51	505
137-Z20042055	42	55	545
137-Z20042059	42	59	585
137-Z20042063	42	63	625
137-Z20043019	43	19	195
137-Z20043023	43	23	235
137-Z20043027	43	27	275
137-Z20043031	43	31	315
137-Z20043035	43	35	355
137-Z20043039	43	39	395
137-Z20043043	43	43	435
137-Z20043047	43	47	475
137-Z20043051	43	51	515
137-Z20043055	43	55	555
137-Z20043059	43	59	600
137-Z20043063	43	63	640
137-Z20045019	45	19	200
137-Z20045023	45	23	245
137-Z20045027	45	27	285
137-Z20045031	45	31	330
137-Z20045035	45	35	370
137-Z20045039	45	39	415
137-Z20045043	45	43	455
137-Z20045047	45	47	500
137-Z20045051	45	51	540
137-Z20045055	45	55	585
137-Z20045059	45	59	625
137-Z20045063	45	63	670
137-Z20048019	48	19	215
137-Z20048023	48	23	260
137-Z20048027	48	27	305


137-Z20048031	48	31	350
137-Z20048035	48	35	395
137-Z20048039	48	39	440
137-Z20048043	48	43	485
137-Z20048047	48	47	530
137-Z20048051	48	51	580
137-Z20048055	48	55	625
137-Z20048059	48	59	670
137-Z20048063	48	63	715
137-Z20050019	50	19	225
137-Z20050023	50	23	270
137-Z20050027	50	27	320
137-Z20050031	50	31	365
137-Z20050035	50	35	415
137-Z20050039	50	39	460
137-Z20050043	50	43	510
137-Z20050047	50	47	555
137-Z20050051	50	51	600
137-Z20050055	50	55	650
137-Z20050059	50	59	695
137-Z20050063	50	63	740
137-Z20055019	55	19	250
137-Z20055023	55	23	300
137-Z20055027	55	27	350
137-Z20055031	55	31	405
137-Z20055035	55	35	455
137-Z20055039	55	39	505
137-Z20055043	55	43	560
137-Z20055047	55	47	610
137-Z20055051	55	51	660
137-Z20055055	55	55	715
137-Z20055059	55	59	765
137-Z20055063	55	63	815
137-Z20056019	56	19	255
137-Z20056023	56	23	305
137-Z20056027	56	27	355
137-Z20056031	56	31	410
137-Z20056035	56	35	465
137-Z20056039	56	39	515
137-Z20056043	56	43	570
137-Z20056047	56	47	620
137-Z20056051	56	51	675
137-Z20056055	56	55	725
137-Z20056059	56	59	780
137-Z20056063	56	63	830
137-Z20058019	58	19	260

137-Z20058023	58	23	315
137-Z20058027	58	27	370
137-Z20058031	58	31	425
137-Z20058035	58	35	480
137-Z20058039	58	39	535
137-Z20058043	58	43	590
137-Z20058047	58	47	645
137-Z20058051	58	51	700
137-Z20058055	58	55	755
137-Z20058059	58	59	810
137-Z20058063	58	63	860
137-Z20060019	60	19	270
137-Z20060023	60	23	325
137-Z20060027	60	27	385
137-Z20060031	60	31	440
137-Z20060035	60	35	495
137-Z20060039	60	39	555
137-Z20060043	60	43	610
137-Z20060047	60	47	665
137-Z20060051	60	51	720
137-Z20060055	60	55	780
137-Z20060059	60	59	835
137-Z20060063	60	63	890
137-Z20063019	63	19	285
137-Z20063023	63	23	345
137-Z20063027	63	27	400
137-Z20063031	63	31	460
137-Z20063035	63	35	520
137-Z20063039	63	39	580
137-Z20063043	63	43	640
137-Z20063047	63	47	700
137-Z20063051	63	51	760
137-Z20063055	63	55	820
137-Z20063059	63	59	880
137-Z20063063	63	63	935
137-Z20065019	65	19	290
137-Z20065023	65	23	355
137-Z20065027	65	27	415
137-Z20065027	65	31	475
137-Z20065035	65	35	535
137-Z20065039	65	39	600
137-Z20065043	65	43	660
137-Z20065047	65	47	720
137-Z20065051	65	51	780
137-Z20065055	65	55	845
137-Z20065059	65	59	905

137-Z20065063	65	63	965
137-Z20068019	68	19	305
137-Z20068023	68	23	370
137-Z20068027	68	27	435
137-Z20068031	68	31	500
137-Z20068035	68	35	560
137-Z20068039	68	39	625
137-Z20068043	68	43	690
137-Z20068047	68	47	755
137-Z20068051	68	51	820
137-Z20068055	68	55	885
137-Z20068059	68	59	945
137-Z20068063	68	63	1010
137-Z20070019	70	19	315
137-Z20070023	70	23	380
137-Z20070027	70	27	445
137-Z20070031	70	31	515
137-Z20070035	70	35	580
137-Z20070039	70	39	645
137-Z20070043	70	43	710
137-Z20070047	70	47	775
137-Z20070051	70	51	840
137-Z20070055	70	55	910
137-Z20070059	70	59	975
137-Z20070063	70	63	1040
137-Z20072019	72	19	325
137-Z20072023	72	23	390
137-Z20072027	72	27	460
137-Z20072031	72	31	530
137-Z20072035	72	35	595
137-Z20072039	72	39	665
137-Z20072043	72	43	730
137-Z20072047	72	47	800
137-Z20072051	72	51	865
137-Z20072055	72	55	935
137-Z20072059	72	59	1005
137-Z20072063	72	63	1070
137-Z20075019	75	19	340
137-Z20075023	75	23	410
137-Z20075027	75	27	480
137-Z20075031	75	31	550
137-Z20075035	75	35	620
137-Z20075039	75	39	690
137-Z20075043	75	43	760
137-Z20075047	75	47	830
137-Z20075051	75	51	910

137-Z20075055	75	55	980
137-Z20075059	75	59	1045
137-Z20075063	75	63	1115
137-Z20080019	80	19	360
137-Z20080023	80	23	435
137-Z20080027	80	27	510
137-Z20080031	80	31	585
137-Z20080035	80	35	660
137-Z20080039	80	39	735
137-Z20080043	80	43	810
137-Z20080047	80	47	890
137-Z20080051	80	51	960
137-Z20080055	80	55	1040
137-Z20080059	80	59	1115
137-Z20080063	80	63	1190
137-Z20085019	85	19	385
137-Z20085023	85	23	460
137-Z20085027	85	27	540
137-Z20085031	85	31	620
137-Z20085035	85	35	700
137-Z20085039	85	39	780
137-Z20085043	85	43	860
137-Z20085047	85	47	940
137-Z20085051	85	51	1020
137-Z20085055	85	55	1100
137-Z20085059	85	59	1185
137-Z20085063	85	63	1265
137-Z20090019	90	19	405
137-Z20090023	90	23	490
137-Z20090027	90	27	575
137-Z20090031	90	31	660
137-Z20090035	90	35	745
137-Z20090039	90	39	830
137-Z20090043	90	43	915
137-Z20090047	90	47	1000
137-Z20090051	90	51	1085
137-Z20090055	90	55	1170
137-Z20090063	90	59	1250
137-Z20090063	90	63	1335
137-Z20095019	95	19	425
137-Z20095023	95	23	515
137-Z20095027	95	27	605
137-Z20095031	95	31	695
137-Z20095035	95	35	785
137-Z20095039	95	39	875
137-Z20095043	95	43	965

137-Z20095047	95	47	1055
137-Z20095055	95	51	1145
137-Z20095055	95	55	1230
137-Z20095059	95	59	1320
137-Z20095063	95	63	1410
137-Z20100019	100	19	450
137-Z20100023	100	23	545
137-Z20100027	100	27	640
137-Z20100031	100	31	730
137-Z20100035	100	35	825
137-Z20100039	100	39	920
137-Z20100043	100	43	1045
137-Z20100047	100	47	1110
137-Z20100051	100	51	1205
137-Z20100055	100	55	1300
137-Z20100059	100	59	1390
137-Z20100063	100	63	1485

 IHP International Heating Products AB

Hällebergsvägen 5, SE-443 60 Stenkullen, Sweden

Telefon: +46 (0)31 795 30 30 - Fax: +46 (0)31 795 30 39

Hemsida: www.ihp.se - E-post: info@ihp.se - Org. Nr. 556689-7327 - VAT Nr. SE556689732701

Bank: SEB Skandinaviska Enskilda Banken AB - Företaget innehar F-skattesedel