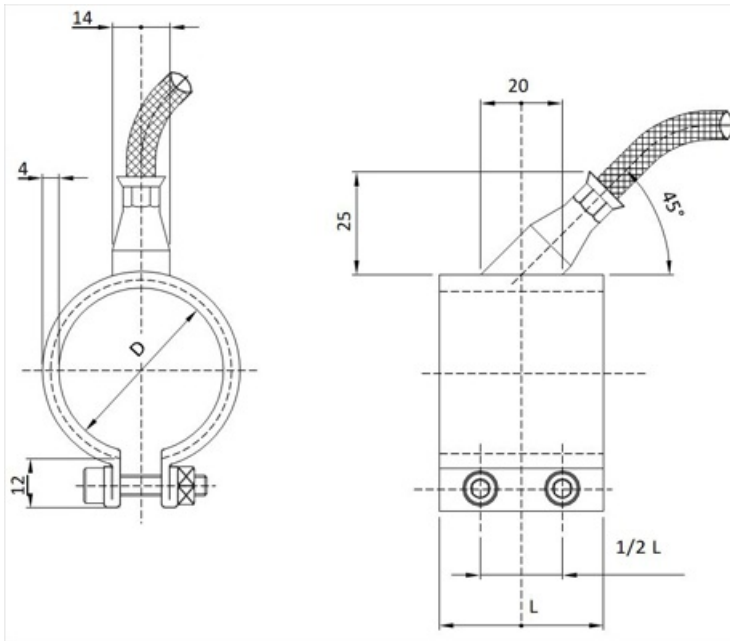


Nozzle heaters stainless steel 400°C

When extruding and injection molding of plastic profiles, plastic pipes, plastic hoses, plastic lists and other similar plastic products, IHPs nozzle heaters are used for heating nozzles that makes the form and thickness of the product. Nozzle heaters installed in series consecutively provides the extruder with the required heat to melt the plastic granules and keeps the melt plastic at the right temperature throughout the manufacturing process.

Nozzle heaters melt plastics such as ABS plastics (acrylonitrile butadiene styrene), PA plastics (polyamide), PC plastics (polycarbonate), PE plastics (polyethylene), PP plastics (polypropylene), PS plastics (polystyrene), PVC plastics (polyvinyl chloride), TPE plastics (thermoplastic elastomer) and others.

Cable exit is axially 45° as standard. IHP also manufactures with radial and tangential cable exit 5°/15°/30°/45° and axial cable exit 5°/15°/30°.



Technical specification

Surface load up to 8W/cm²

Working temperature up to 400°C

Supply 230V as standard (other voltages according to your wishes)

Built in TC J (option)

Resistance wire of nickel/chrome 80/20

Built in insulation of pure mica

Casing of stainless steel AISI430

Axial cable exit 45° as standard

Metal braided supply cable 1000mm with earth


Largest diameter and width ø110 x 60mm as standard

Standard range

Article number	Diameter (mm)	Width (mm)	Power (W)
130-Z17025030	25	30	130
130-Z17030025	30	25	130
130-Z17030030	30	30	170
130-Z17030035	30	35	200
130-Z17030040	30	40	230
130-Z17035025	35	25	160
130-Z17035030	35	30	200
130-Z17035035	35	35	240
130-Z17035040	35	40	270
130-Z17035045	35	45	310
130-Z17040025	40	25	190
130-Z17040030	40	30	230
130-Z17040035	40	35	270
130-Z17040040	40	40	310
130-Z17040045	40	45	350
130-Z17042025	42	25	200
130-Z17042030	42	30	240
130-Z17042035	42	35	290
130-Z17042040	42	40	330
130-Z17045025	45	25	210
130-Z17045030	45	30	260
130-Z17045035	45	35	310
130-Z17045040	45	40	350
130-Z17045045	45	45	400
130-Z17045050	45	50	450
130-Z17045055	45	55	490
130-Z17050020	50	20	190
130-Z17050025	50	25	240
130-Z17050030	50	30	290
130-Z17050035	50	35	340
130-Z17050040	50	40	390
130-Z17050050	50	50	500
130-Z17050060	50	60	600
130-Z17055020	55	20	210
130-Z17055025	55	25	270
130-Z17055030	55	30	320
130-Z17055035	55	35	380
130-Z17055040	55	40	430
130-Z17055050	55	50	540
130-Z17060020	60	20	230

130-Z17060025	60	25	290
130-Z17060030	60	30	350
130-Z17060035	60	35	410
130-Z17060040	60	40	470
130-Z17060050	60	50	600
130-Z17060060	60	60	720
130-Z17065020	65	20	250
130-Z17065025	65	25	320
130-Z17065030	65	30	380
130-Z17065035	65	35	450
130-Z17065040	65	40	520
130-Z17065050	65	50	650
130-Z17070020	70	20	270
130-Z17070025	70	25	340
130-Z17070030	70	30	410
130-Z17070035	70	35	490
130-Z17070040	70	40	560
130-Z17070050	70	50	700
130-Z17070060	70	60	840
130-Z17075020	75	20	290
130-Z17075025	75	25	370
130-Z17075030	75	30	440
130-Z17075035	75	35	520
130-Z17075040	75	40	560
130-Z17075050	75	50	750
130-Z17075060	75	60	900
130-Z17080020	80	20	310
130-Z17080025	80	25	390
130-Z17080030	80	30	470
130-Z17080035	80	35	560
130-Z17080040	80	40	640
130-Z17080050	80	50	800
130-Z17080060	80	60	960
130-Z17085020	85	20	330
130-Z17085025	85	25	420
130-Z17085030	85	30	500
130-Z17085035	85	35	590
130-Z17085040	85	40	680
130-Z17085050	85	50	850
130-Z17085060	85	60	1020
130-Z17090020	90	20	350
130-Z17090025	90	25	440
130-Z17090030	90	30	540
130-Z17090035	90	35	630
130-Z17090040	90	40	720
130-Z17090050	90	50	900

130-Z17090060	90	60	1080
130-Z17095020	95	20	370
130-Z17095025	95	25	470
130-Z17095030	95	30	570
130-Z17095035	95	35	660
130-Z17095040	95	40	760
130-Z17095050	95	50	950
130-Z17095060	95	60	1150
130-Z17100020	100	20	380
130-Z17100025	100	25	500
130-Z17100030	100	30	600
130-Z17100035	100	35	700
130-Z17100040	100	40	800
130-Z17100050	100	50	1000
130-Z17100060	100	60	1200

 IHP International Heating Products AB

Hällebergsvägen 5, SE-443 60 Stenkullen, Sweden

Telefon: +46 (0)31 795 30 30 -Fax: +46 (0)31 795 30 39

Hemsida: www.ihp.se - E-post: info@ihp.se - Org. Nr. 556689-7327 - VAT Nr. SE556689732701

Bank: SEB Skandinaviska Enskilda Banken AB - Företaget innehar F-skattesedel