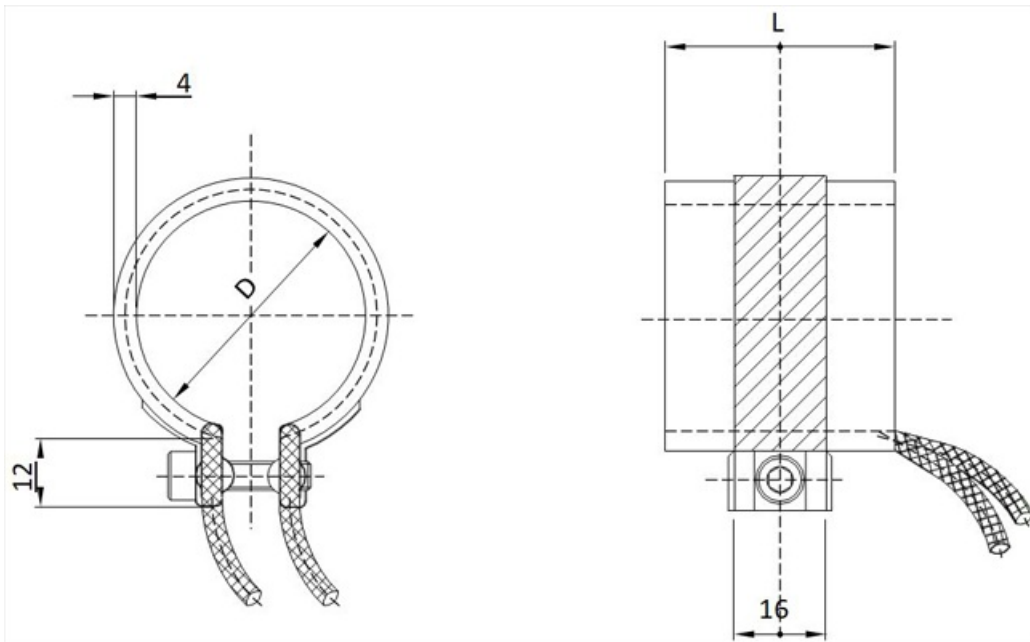


Nozzle heaters stainless steel 370°C

These nozzle heaters have a casing of stainless steel and are equipped with flexible metal braided leads. The leads are connected on each side of the casing which makes the nozzle heaters easy to install in narrow spaces. The nozzle heaters are robust and are designed for contact with melted plastics like PVC-plastics, ABS-plastics, PTFE-plastics, PEEK-plastics and more.

The nozzle heaters need to be controlled by a control system with extern sensor or thermocouple type J that IHP integrates inside the heater. Standard range includes inner diameters from $\varnothing 25\text{mm}$ to $\varnothing 100\text{mm}$ and is available in many power versions and widths.

IHP designs also unique heating products for production techniques like extrusion and injection molding.



Technical specification

Surface load up to $7\text{W}/\text{cm}^2$

Working temperature up to 370°C

Supply 230V as standard (other supply can be customized)

Built in thermocouple as an option

Resistance wire of nickel/chrome 80/20

Built in insulation of pure micanite

Casing of stainless steel AISI430

Metal braided supply cable 1000mm


Largest diameter and width ø110 x 200mm as standard

Standard range

Article number	Diameter (mm)	Width (mm)	Power (W)
136-Z15025030	25	30	115
136-Z15030025	30	25	125
136-Z15030030	30	30	155
136-Z15030035	30	35	180
136-Z15030040	30	40	205
136-Z15035025	35	25	150
136-Z15035030	35	30	180
136-Z15035035	35	35	210
136-Z15035040	35	40	240
136-Z15035045	35	45	270
136-Z15040025	40	25	170
136-Z15040030	40	30	205
136-Z15040035	40	35	240
136-Z15040040	40	40	275
136-Z15040045	40	45	310
136-Z15042025	42	25	180
136-Z15042030	42	30	215
136-Z15042035	42	35	250
136-Z15042040	42	40	290
136-Z15045025	45	25	190
136-Z15045030	45	30	230
136-Z15045035	45	35	270
136-Z15045040	45	40	310
136-Z15045045	45	45	345
136-Z15045050	45	50	385
136-Z15050020	50	20	170
136-Z15050025	50	25	215
136-Z15050030	50	30	255
136-Z15050035	50	35	300
136-Z15050040	50	40	345
136-Z15050050	50	50	430
136-Z15055020	55	20	185
136-Z15055025	55	25	235
136-Z15055030	55	30	280
136-Z15055035	55	35	330
136-Z15055040	55	40	375
136-Z15055050	55	50	470
136-Z15055060	55	60	565
136-Z15060020	60	20	205
136-Z15060025	60	25	255

136-Z15060030	60	30	310
136-Z15060035	60	35	360
136-Z15060040	60	40	410
136-Z15060050	60	50	515
136-Z15060060	60	60	620
136-Z15065020	65	20	220
136-Z15065025	65	25	280
136-Z15065030	65	30	335
136-Z15065035	65	35	390
136-Z15065040	65	40	445
136-Z15065050	65	50	560
136-Z15065060	65	60	670
136-Z15070020	70	20	240
136-Z15070025	70	25	300
136-Z15070030	70	30	360
136-Z15070035	70	35	420
136-Z15070040	70	40	480
136-Z15070050	70	50	600
136-Z15070060	70	60	725
136-Z15075020	75	20	255
136-Z15075025	75	25	320
136-Z15075030	75	30	385
136-Z15075035	75	35	450
136-Z15075040	75	40	515
136-Z15075050	75	50	645
136-Z15075060	75	60	775
136-Z15080020	80	20	275
136-Z15080025	80	25	345
136-Z15080030	80	30	410
136-Z15080035	80	35	480
136-Z15080040	80	40	550
136-Z15080050	80	50	690
136-Z15080060	80	60	825
136-Z15085020	85	20	290
136-Z15085025	85	25	365
136-Z15085030	85	30	440
136-Z15085035	85	35	510
136-Z15085040	85	40	585
136-Z15085050	85	50	730
136-Z15085060	85	60	880
136-Z15090020	90	20	310
136-Z15090025	90	25	385
136-Z15090030	90	30	465
136-Z15090035	90	35	540
136-Z15090040	90	40	620
136-Z15090050	90	50	775

136-Z15090060	90	60	930
136-Z15095020	95	20	325
136-Z15095025	95	25	410
136-Z15095030	95	30	490
136-Z15095035	95	35	570
136-Z15095040	95	40	655
136-Z15095050	95	50	820
136-Z15095060	95	60	980
136-Z15100020	100	20	345
136-Z15100025	100	25	430
136-Z15100030	100	30	515
136-Z15100035	100	35	600
136-Z15100040	100	40	690
136-Z15100050	100	50	860
136-Z15100060	100	60	1030

 IHP International Heating Products AB

Hällebergsvägen 5, SE-443 60 Stenkullen, Sweden

Telefon: +46 (0)31 795 30 30 -Fax: +46 (0)31 795 30 39

Hemsida: www.ihp.se - E-post: info@ihp.se - Org. Nr. 556689-7327 - VAT Nr. SE556689732701

Bank: SEB Skandinaviska Enskilda Banken AB - Företaget innehar F-skattesedel